



Leadshine

Datasheet of the Power Supplies for Low-voltage Servo

SPS2410, SPS3611, SPS488, SPS4810-V-24, SPS606

(V3.0)



176-264 VAC input, 24V/36V/48V/60VDC output

Revision 3.0

©2020 Leadshine Technology Co., Ltd.

Address: Floor 11, Block A3, Nanshan iPark, Xueyuan Avenue 1001, Shenzhen, Guangdong, 518055, China

Tel: (86)755-26409254

Fax: (86)755-26402718

Web: www.leadshine.com

Sales: sales@leadshine.com

Support: tech@leadshine.com

Features

- 3.0-multiple of current overload
- Compact Size, Light in Weight
- Use Switch to select input voltage 176 - 274 VAC
- Short Circuit and Over Load Protections
- Big Power with High Efficiency

Electrical Specifications

Model	SPS2410	SPS3611	SPS488	SPS4810-V-24	SPS606	
OUTPUT	DC VOLTAGE	24V	36V	48V	48V & 24V	60V
	RATED CURRENT	10A	11A	8.3A	10A	6.7A
	PEAK CURRENT	30A	33A	24.9A	30A	20.1A
	RATED POWER	240W	396W	398W	480W	402W
	PEAK POWER	720W	1188W	1195W	1440W	1206W
	LINE REGULATION	± 0.5%				
	ADJ. RANGE	± 10%				
	RISE TIME	50ms/230VAC at full load				
	HOLD TIME	20ms/230VAC at full load				
INPUT	VOLTAGE RANGE	176-264VAC				
	FREQUENCY RANGE	47-63Hz				
	INRUSH CURRENT	30A/230VAC, Cold Start				
	LEAKAGE CURRENT	0.75mA/240VAC				
	WITHSTAND VOLTAGE	Vin-Vout: 1500VAC/min, Vin-FG: 1500VAC/min, Vout-FG: 500VAC/min				
	PROTECTION	SHORT CIRCUIT	Protection Type: Output shunt down, need to turn off the input to reset.			
OVER LOAD		300% (3S) Protection Type: Output shunt down, need to turn off the input to reset.				
ADJUSTABLE OUTPUT VOLTAGE(VDC)	± 10%					
DIMENSION (mm)	199*110*50			215*110*30		
WEIGHT	800.4g (28.23oz)			700.5g (24.70oz)		

Operating Environment and Parameters

Cooling	Natural cooling or forced cooling	
Operating Environment	Environment	Avoid dust, oil fog and corrosive gases
	Working Temperature	-20°C — 60°C, >50°C Fan turn on(if have), <45°C Fan turn off
	Humidity	10 — 90%RH
Storage Temperature	-40°C — 85°C	

Mechanical specification

Unit=mm, 1 inch = 25.4 mm

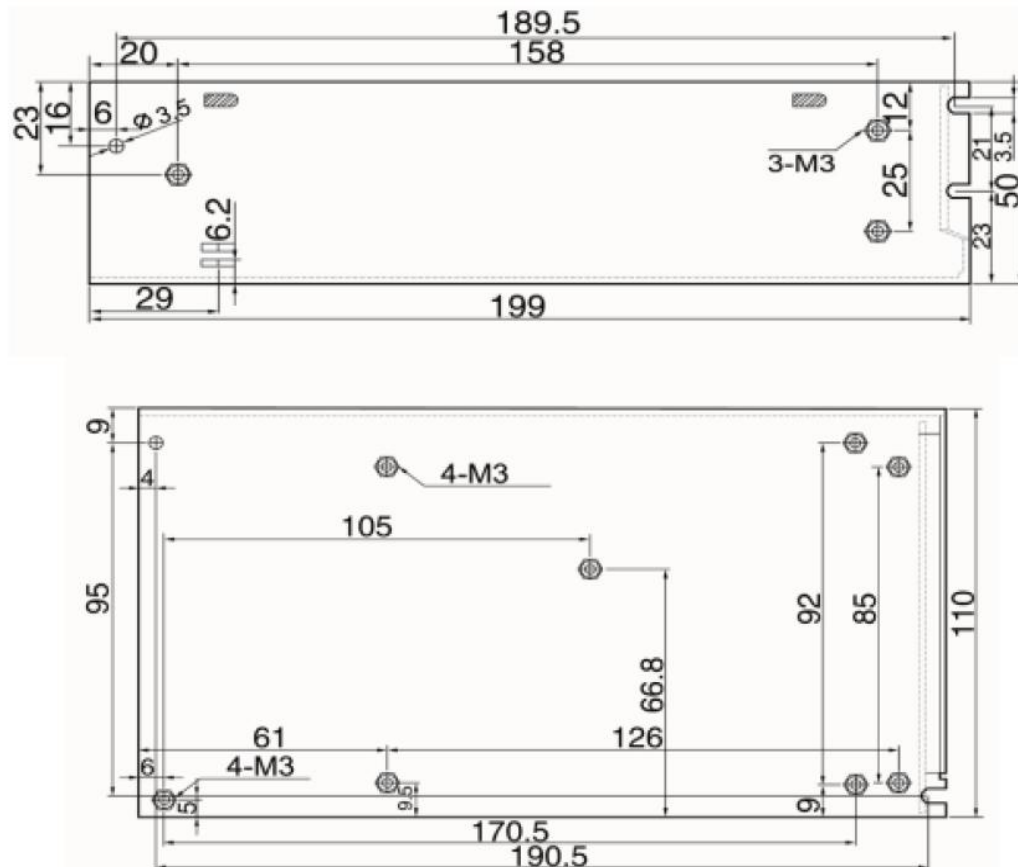


Figure 1: SPS2410 Mechanical Specification

